

D X X P 3 3 E 6 X X 1 2 L F

SEE NOTE RoHS

SERIES

NO.OF CONTACTS

09,15,25,37

TYPE OF CONTACTS

P-PIN

TYPE OF TERMINATION

33-ANGLED SPILL

PITCH 2.84 USA

FOOT PRINT 8.08 USA

HEIGHT OF TERMINATION

E-2.00mm COMPATIBLE FOR 1.6mm PCB

RoHS INFORMATIONS

"This LF product meets European Union Directives and other country regulations as described in GS-22-008"

The housing will withstand exposure to 260°C peak temperature for 30 seconds in a convection,infra-red or vapor reflow oven solder application.

Packaging as per GS-14-920

PRODUCT SPECIFICATION

See :- GS-12-433

PACKAGING SPECIFICATION

See :- GS-14-1139

PACKAGING SPECIFICATION

12- TAPE & REEL PACKAGING

MOUNTING OPTIONS

RV->LIF METAL PEG+F.SCREW LOCK UNC 4 40+METAL BRACKET

RL->LIF METAL PEG+ INSERT M3+METAL BRACKET

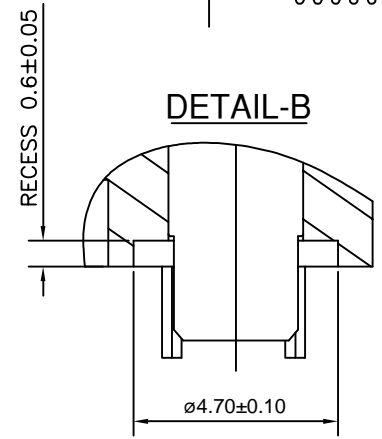
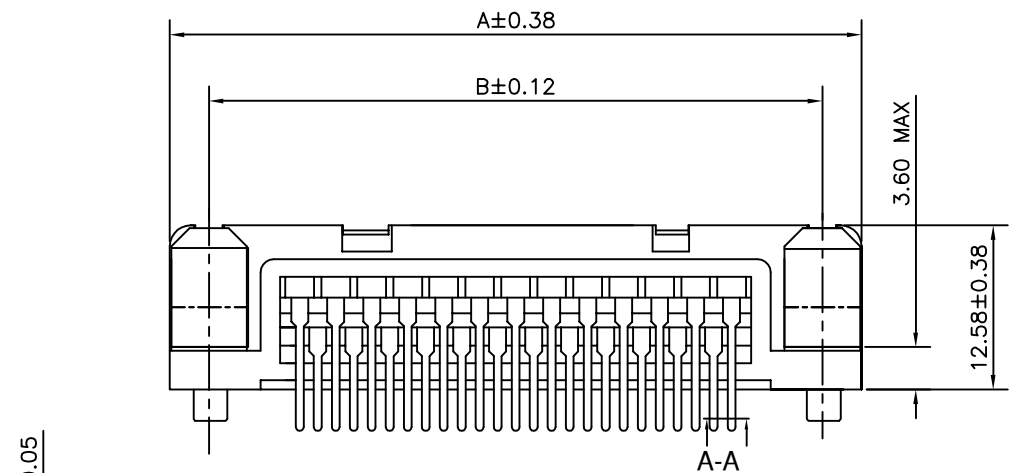
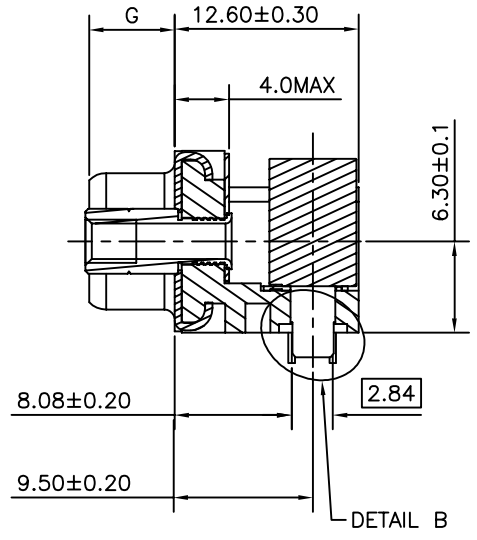
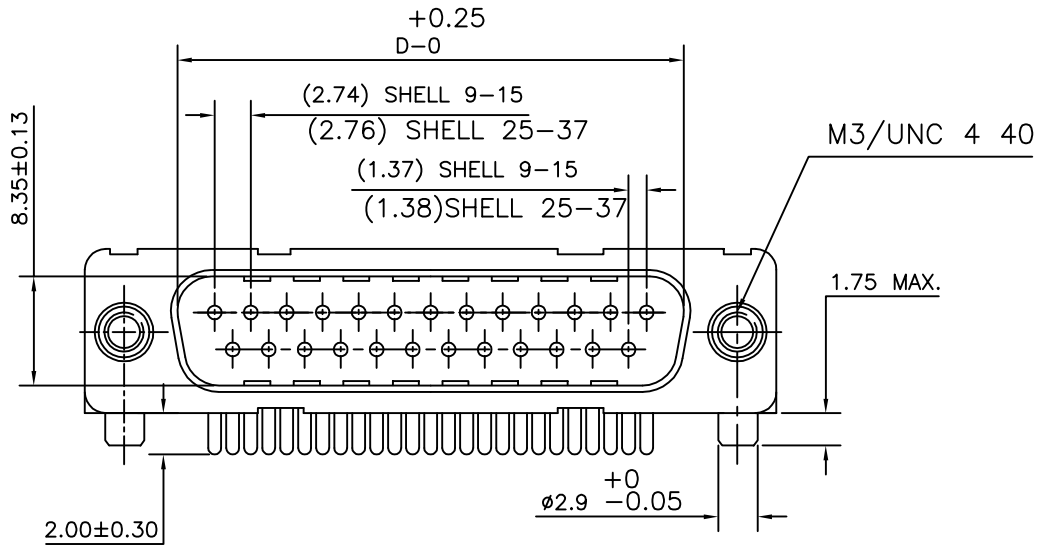
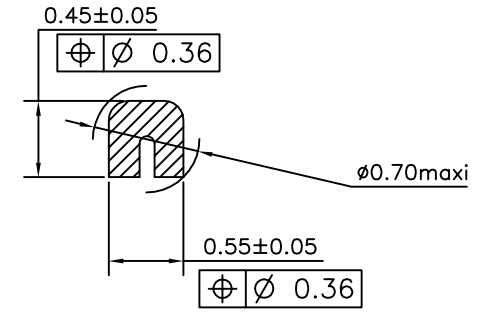
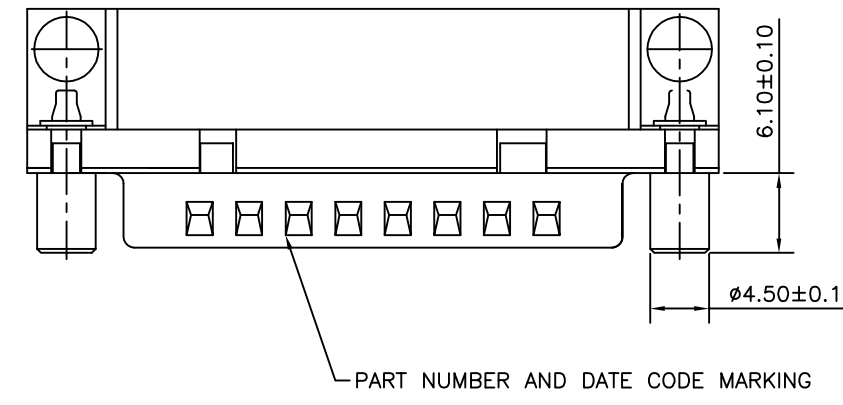
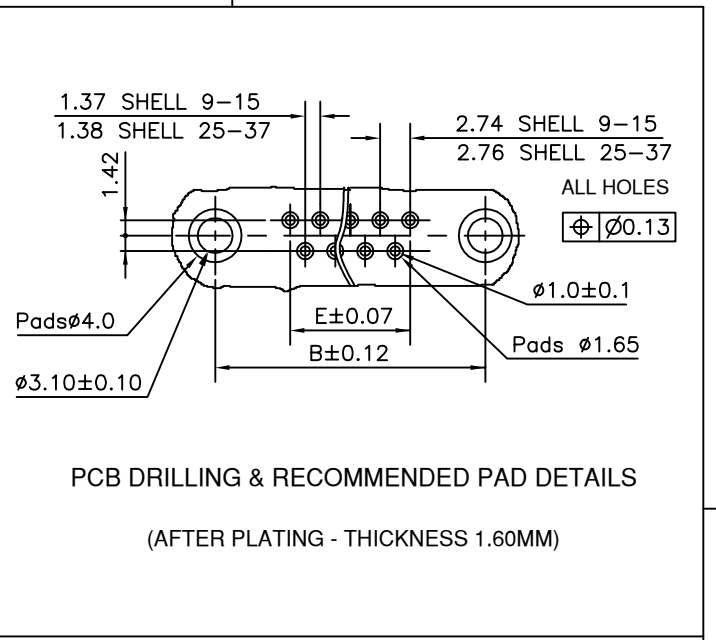
RX->LIF METAL PEG+ INSERT UNC 4-40 +METAL BRACKET

PLATING

6-500 Mating/Un-mating performance

mat'l. code SEE.TECH.SPEC				surface ISO 1302 ✓		tolerance ISO 406 ISO 1101		projection MM		product family DELTA-D			
ltr				ecn no		dr		date		tolerances unless otherwise specified		title DELTA-D A/S MALE PIP CONNECTOR US VERSION	
A				107-0167		AS		2007-12-04		angles		linear	
B				108-0175		AS		2009-01-14		0°±1°		.00±0.1	
C				109-0162		AS		2009-08-17		.000±.00X		scale -	
				dr		ANISH.SALAM		2007-12-04				dwg no	
				enr		ANISH.SALAM		2009-08-17				sheet 1 of 2	
				chr		ANISH.SALAM		2009-08-17				size	
				appd		ANISH.SALAM		2009-08-17				A3	
sheet index		revision sheet		C		C						type	
				1		2						Product Customer Drawing	

37	69.32	63.50	55.30	49.68	5.70 ^{+0.25} ₋₀
25	53.03	47.04	38.84	33.12	5.70 ^{+0.25} ₋₀
15	39.14	33.32	25.12	19.18	5.90 ^{+0.15} ₋₀
09	30.81	24.99	16.79	10.96	5.90 ^{+0.15} ₋₀
SHELL	A	B	D	E	G

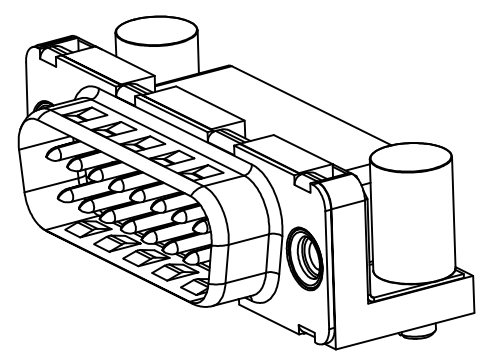
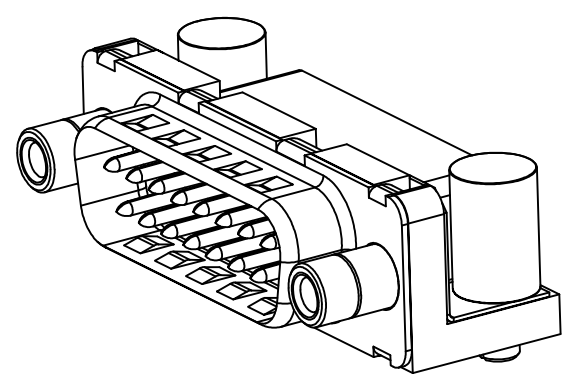


ACCESSORIES DETAILS

TRUE POSITIONING : Ø 0.36

RV VERSION

RX/RL VERSION



mat'l. code SEE.TECH.SPEC				surface ISO 1302 ✓		tolerance ISO 406 ISO 1101		projection MM		product family DELTA-D			
ltr				ecn no		dr		date		title DELTA-D A/S MALE PIP CONNECTOR US VERSION			
A				107-0167		AS		2007-12-04		angles linear .00±0.1 0°±1° .000±.00X scale - FCI sheet 2 of 2 size 5 C-DD-0101 A3 type Product Customer Drawing			
B				108-0175		AS		2009-01-14					
C				109-0162		AS		2009-08-17					
								dr		ANISH.SALAM		2007-12-04	
								engr		ANISH.SALAM		2009-08-17	
								chr		ANISH.SALAM		2009-08-17	
								appd		ANISH.SALAM		2009-08-17	
sheet index		revision sheet		C		C							
				1		2							